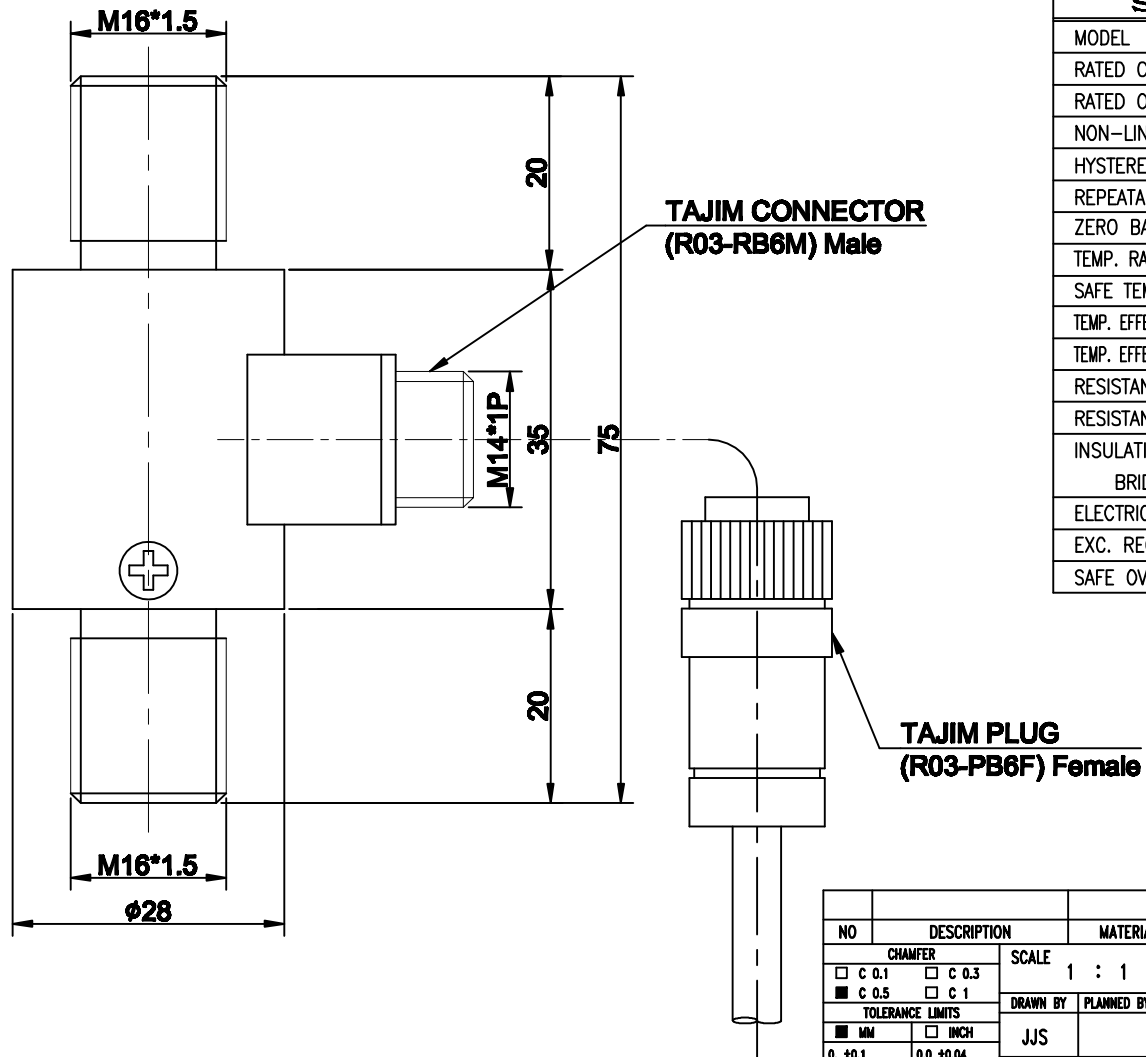


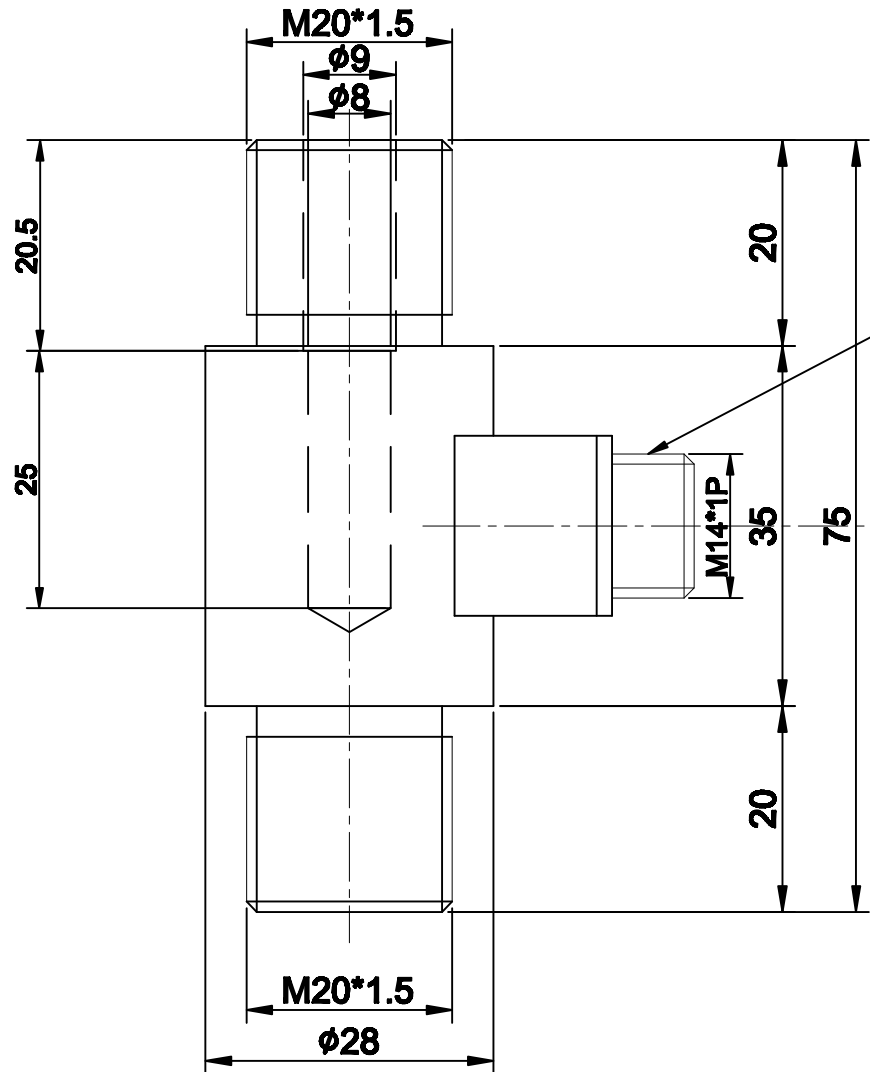
NO	DATE	ZONE	REVISION	CO'T	SIGN
△					



SPECIFICATION	
MODEL	TX25
RATED CAPACITY (R.C.)	500kgf,200kgf,100kgf
RATED OUTPUT (R.O.)	1.0mV/V ± 1%
NON-LINEARITY	0.15% R.O.
HYSTERESIS	0.15% R.O.
REPEATABILITY	0.1% R.O.
ZERO BALANCE	±1% R.O.
TEMP. RANGE COMPENSATED	-10°C~60°C
SAFE TEMPERATURE RANGE	-20°C~80°C
TEMP. EFFECT ON RATED OUTPUT	±0.01%LOAD/10°C
TEMP. EFFECT ON ZERO BALANCE	±0.02%R.O./10°C
RESISTANCE, INPUT	350 Ohm ± 5%
RESISTANCE, OUTPUT	350 Ohm ± 5%
INSULATION RESISTANCE	
BRIDGE TO GROUND	2000MΩ
ELECTRICAL CONNECTION	∅5mm x 4C x3m
EXC. RECOMMENDED	10V
SAFE OVERLOAD	120% R.C.

NO	DESCRIPTION	MATERIAL	HEART TREAT	Q'TY	DIMENSIONS	REMARK
CHAMFER <input type="checkbox"/> C 0.1 <input type="checkbox"/> C 0.3 <input type="checkbox"/> C 0.5 <input type="checkbox"/> C 1		SCALE	ANGLE	1st	DESCRIPTION	
TOLERANCE LIMITS <input type="checkbox"/> MM <input type="checkbox"/> INCH 0. ±0.1 0.0 ±0.04 0.0 ±0.05 0.00 ±0.02 0.00 ±0.01 0.000 ±0.004 0.000 ±0.002 0.0000 ±0.0002		1 : 1	1st	③rd	LOADCELL	
DRAWN BY		PLANNED BY	CHECKED BY	APPROVED BY	MODEL	ORDER.
JJS					TX25 (100kgf,200kgf,500kgf)	ORDER DWG. NO
DCELL		TEL 043-280-2242 www.dcell.co.kr		DWG NO	TX25-1A-K100,K200,K500	
						SHEET

NO	DATE	ZONE	REVISION	CO'T	SIGN
△					



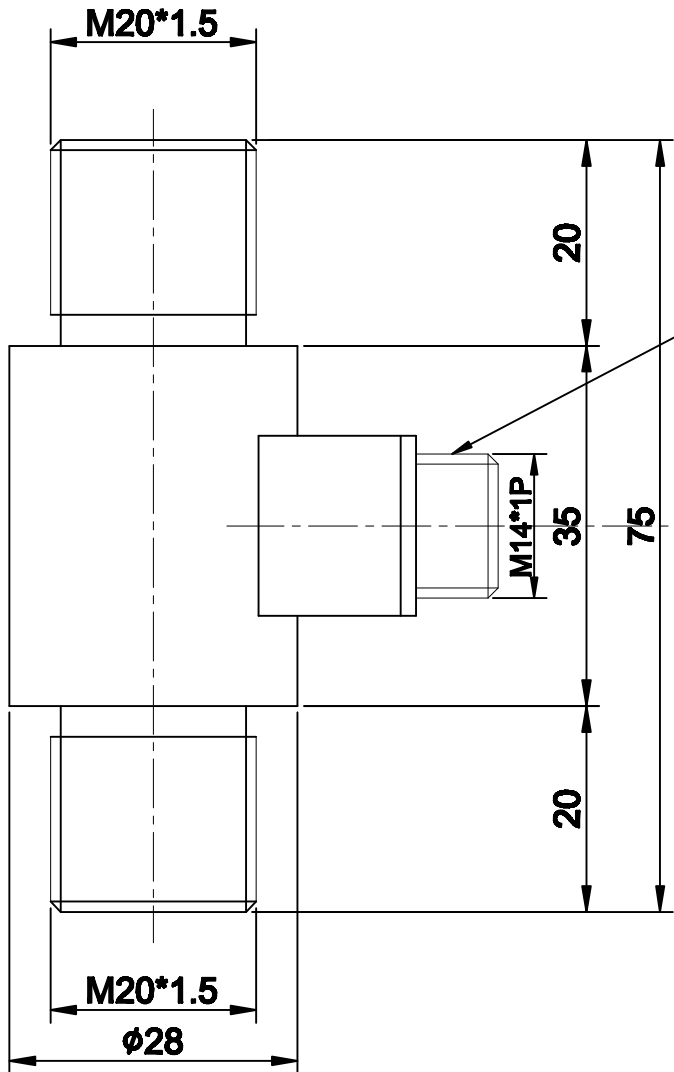
**TAJIM CONNECTOR
(R03-RB6M) Male**

**TAJIM PLUG
(R03-PB6F) Female**

SPECIFICATION	
MODEL	TX25
RATED CAPACITY (R.C.)	1tf , 2tf
RATED OUTPUT (R.O.)	1.0mV/V \pm 1%
NON-LINEARITY	0.15% R.O.
HYSTERESIS	0.15% R.O.
REPEATABILITY	0.1% R.O.
ZERO BALANCE	\pm 1% R.O.
TEMP. RANGE COMPENSATED	-10°C~60°C
SAFE TEMPERATURE RANGE	-20°C~80°C
TEMP. EFFECT ON RATED OUTPUT	\pm 0.01%LOAD/10°C
TEMP. EFFECT ON ZERO BALANCE	\pm 0.02%R.O./10°C
RESISTANCE, INPUT	350 Ohm \pm 5%
RESISTANCE, OUTPUT	350 Ohm \pm 5%
INSULATION RESISTANCE BRIDGE TO GROUND	2000M Ω
ELECTRICAL CONNECTION	ϕ 5mm x 4C x3m
EXC. RECOMMENDED	10V
SAFE OVERLOAD	120% R.C.

NO	DESCRIPTION	MATERIAL	HEART TREAT	Q'TY	DIMENSIONS	REMARK
CHAMFER <input type="checkbox"/> C 0.1 <input type="checkbox"/> C 0.3 <input checked="" type="checkbox"/> C 0.5 <input type="checkbox"/> C 1		SCALE	ANGLE	DESCRIPTION		
TOLERANCE LIMITS <input checked="" type="checkbox"/> MM <input type="checkbox"/> INCH		1 : 1	1st ③d	MODEL		
0. \pm 0.1 0.0 \pm 0.04 0.0 \pm 0.05 0.00 \pm 0.02 0.00 \pm 0.01 0.000 \pm 0.004 0.000 \pm 0.002 0.0000 \pm 0.0002		DRAWN BY	PLANNED BY	CHECKED BY	APPROVED BY	ORDER.
		JJS				ORDER DWG. NO
		2015.08.12				MODEL TX25-T1,T2
				DWG NO TX25-1A-T1,T2		SHEET
		TEL 043-260-2242 www.dacell.co.kr				

NO	DATE	ZONE	REVISION	CO'T	SIGN
△					



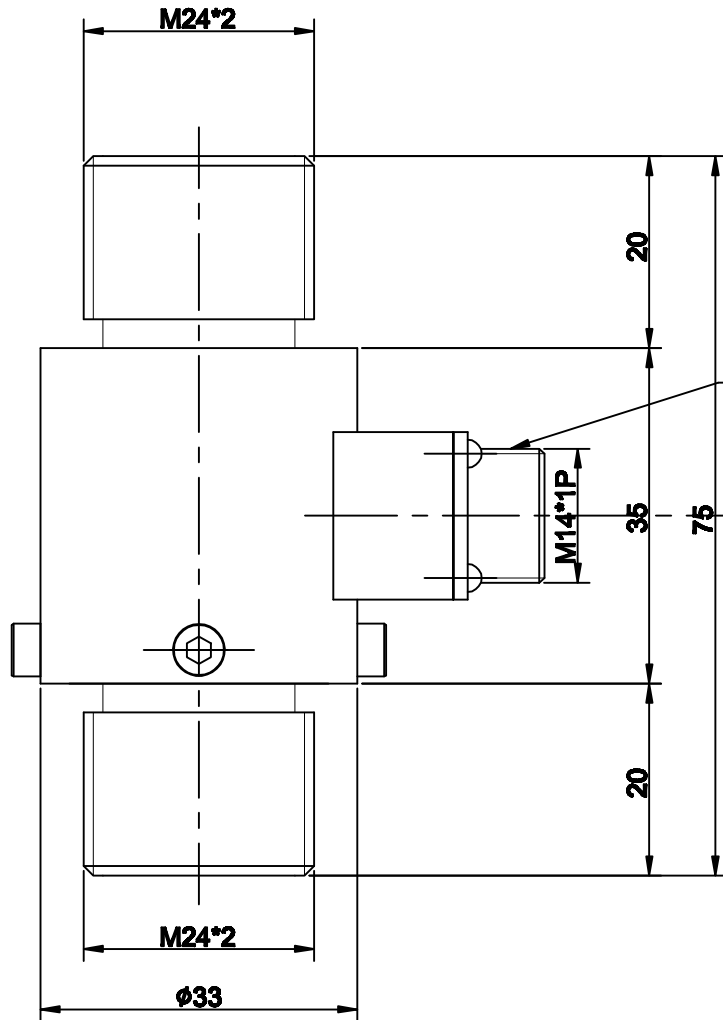
**TAJIM CONNECTOR
(R03-RB6M) Male**

**TAJIM PLUG
(R03-PB6F) Female**

SPECIFICATION	
MODEL	TX25
RATED CAPACITY (R.C.)	3tf
RATED OUTPUT (R.O.)	1.0mV/V ± 1%
NON-LINEARITY	0.15% R.O.
HYSTERESIS	0.15% R.O.
REPEATABILITY	0.1% R.O.
ZERO BALANCE	±1% R.O.
TEMP. RANGE COMPENSATED	-10°C~60°C
SAFE TEMPERATURE RANGE	-20°C~80°C
TEMP. EFFECT ON RATED OUTPUT	±0.01%LOAD/10°C
TEMP. EFFECT ON ZERO BALANCE	±0.02%R.O./10°C
RESISTANCE, INPUT	350 Ohm ± 5%
RESISTANCE, OUTPUT	350 Ohm ± 5%
INSULATION RESISTANCE BRIDGE TO GROUND	2000MΩ
ELECTRICAL CONNECTION	∅5mm x 4C x3m
EXC. RECOMMENDED	10V
SAFE OVERLOAD	120% R.C.

NO	DESCRIPTION	MATERIAL	HEART TREAT	Q'TY	DIMENSIONS	REMARK
CHAMFER <input type="checkbox"/> C 0.1 <input type="checkbox"/> C 0.3 <input checked="" type="checkbox"/> C 0.5 <input type="checkbox"/> C 1		SCALE 1 : 1	ANGLE 1st ③d	DESCRIPTION		
TOLERANCE LIMITS <input checked="" type="checkbox"/> MM <input type="checkbox"/> INCH		DRAWN BY JJS	PLANNED BY	CHECKED BY	APPROVED BY	MODEL TX25-T3
0. ±0.1	0.0 ±0.04	2015.08.12				ORDER. ORDER DWG. NO
0.0 ±0.05	0.00 ±0.02			TEL 043-260-2242	DWG NO TX25-1A-T3	SHEET
0.00 ±0.01	0.000 ±0.004	www.dacell.co.kr				
0.000 ±0.002	0.0000 ±0.0002					

NO	DATE	ZONE	REVISION	CO'T	SIGN
△					



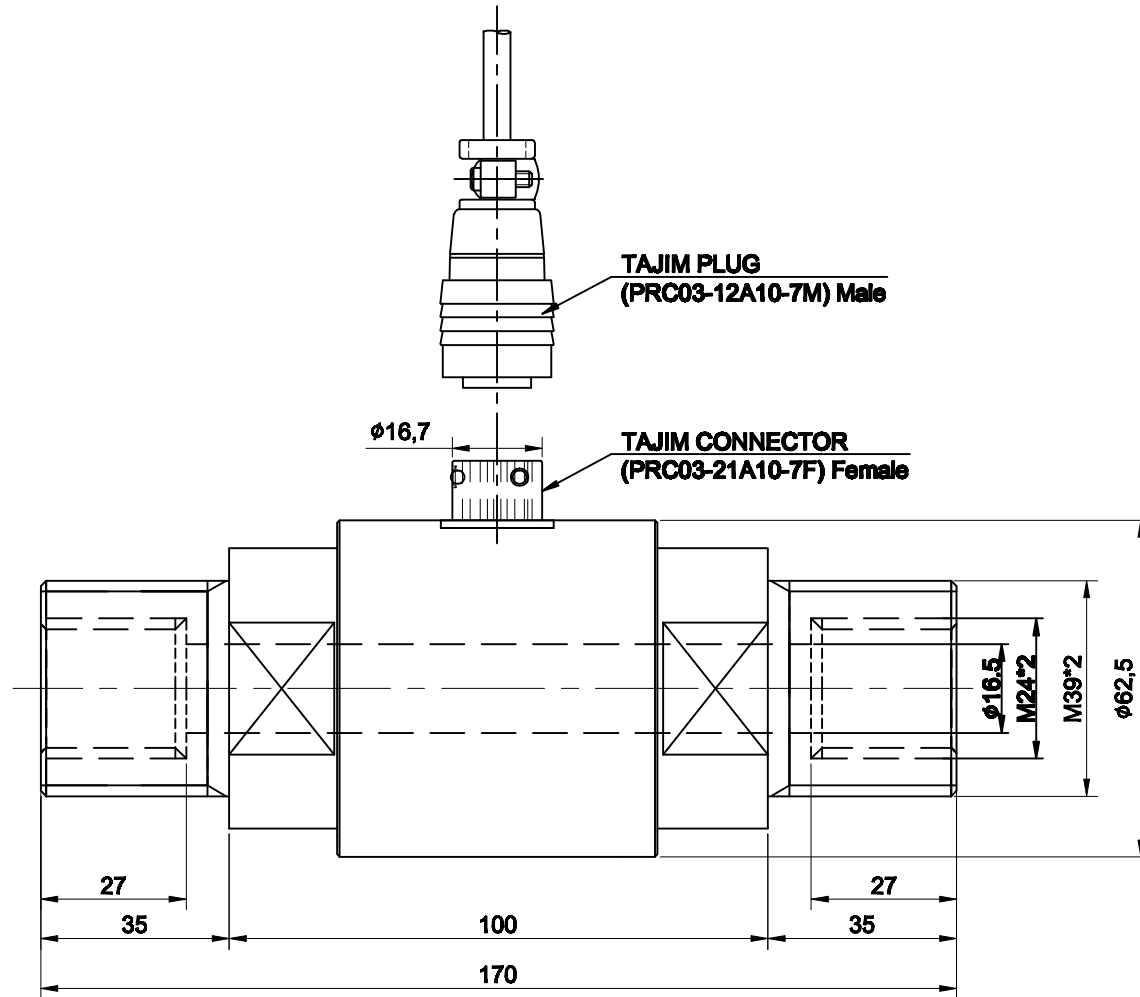
**TAJIM CONNECTOR
(R03-RB6M) Male**

**TAJIM PLUG
(R03-PB6F) Female**

SPECIFICATION	
MODEL	TX25
RATED CAPACITY (R.C.)	5tf
RATED OUTPUT (R.O.)	1.0mV/V ± 1%
NON-LINEARITY	0.15% R.O.
HYSTERESIS	0.15% R.O.
REPEATABILITY	0.1% R.O.
ZERO BALANCE	±1% R.O.
TEMP. RANGE COMPENSATED	-10°C~60°C
SAFE TEMPERATURE RANGE	-20°C~80°C
TEMP. EFFECT ON RATED OUTPUT	±0.01%LOAD/10°C
TEMP. EFFECT ON ZERO BALANCE	±0.02%R.O./10°C
RESISTANCE, INPUT	350 Ohm ± 5%
RESISTANCE, OUTPUT	350 Ohm ± 5%
INSULATION RESISTANCE BRIDGE TO GROUND	2000MΩ
ELECTRICAL CONNECTION	φ5mm x 4C x3m
EXC. RECOMMENDED	10V
SAFE OVERLOAD	120% R.C.

NO	DESCRIPTION	MATERIAL	HEART TREAT	Q'TY	DIMENSIONS	REMARK
CHAMFER		SCALE 1 : 1	ANGLE 1st 3rd	DESCRIPTION LOADCELL		
<input type="checkbox"/> C 0.1	<input type="checkbox"/> C 0.3	DRAWN BY JJS	PLANNED BY	CHECKED BY	APPROVED BY	MODEL TX25-T5
<input type="checkbox"/> C 0.5	<input type="checkbox"/> C 1	TOLERANCE LIMITS				ORDER. Standard
<input type="checkbox"/> MM	<input type="checkbox"/> INCH	0. ±0.1				ORDER DWG. NO
		0.0 ±0.05				
		0.00 ±0.01				
		0.000 ±0.002				
		0.0 ±0.04				
		0.00 ±0.02				
		0.000 ±0.004				
		0.0000 ±0.0002				
		DCELL		TEL 043-280-2242	DWG NO TX25-1A-T5	SHEET
		www.docell.co.kr				

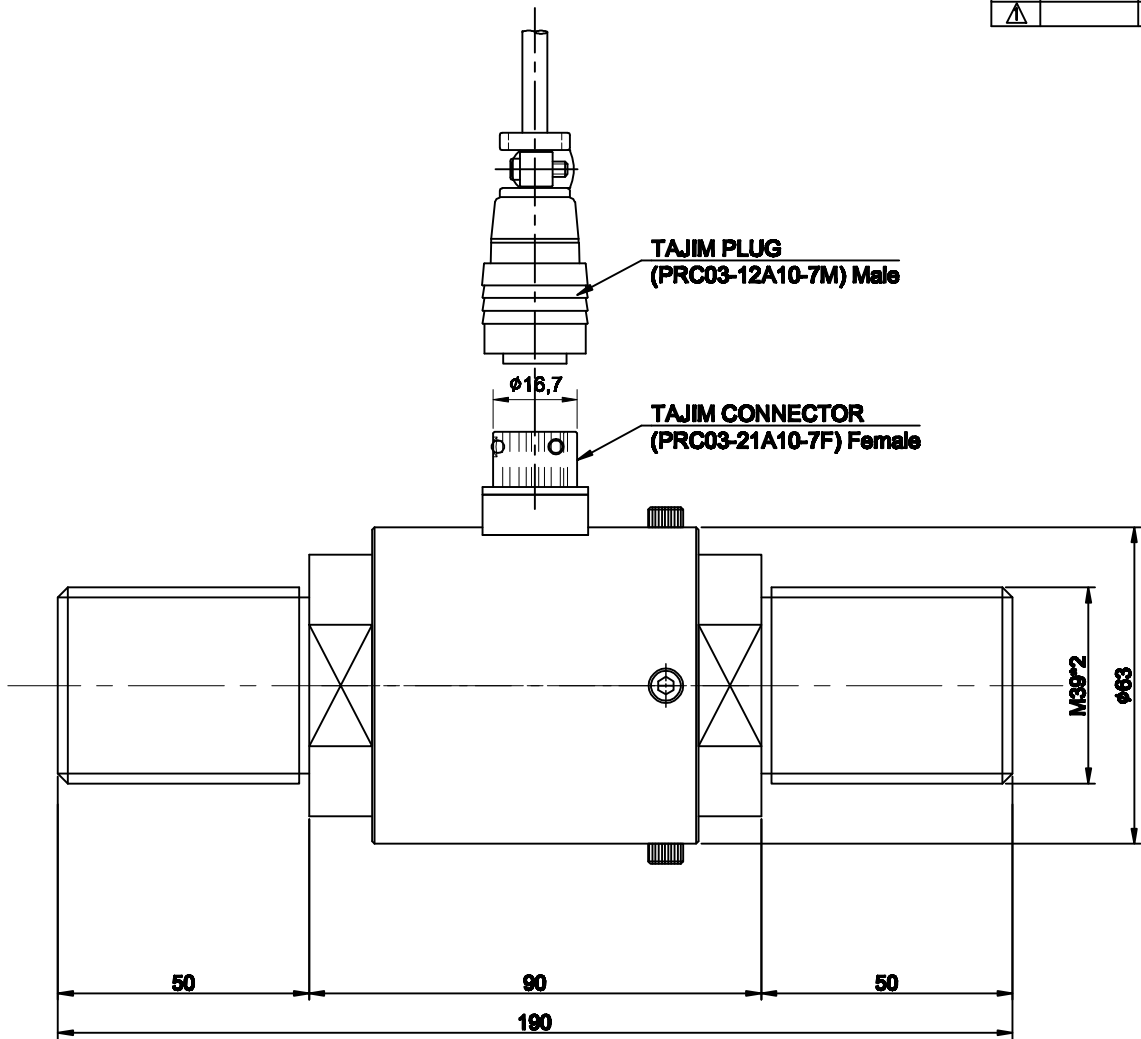
NO	DATE	ZONE	REVISION	CO'T	SIGN
△					



SPECIFICATION	
MODEL	TX25
RATED CAPACITY (R.C.)	10tf
RATED OUTPUT (R.O.)	1.0mV/V ± 1%
NON-LINEARITY	0.15% R.O.
HYSTERESIS	0.15% R.O.
REPEATABILITY	0.1% R.O.
ZERO BALANCE	±1% R.O.
TEMP. RANGE COMPENSATED	-10°C~60°C
SAFE TEMPERATURE RANGE	-20°C~80°C
TEMP. EFFECT ON RATED OUTPUT	±0.01%LOAD/10°C
TEMP. EFFECT ON ZERO BALANCE	±0.02%R.O./10°C
RESISTANCE, INPUT	350 Ohm ± 5%
RESISTANCE, OUTPUT	350 Ohm ± 5%
INSULATION RESISTANCE BRIDGE TO GROUND	2000MΩ
ELECTRICAL CONNECTION	ø5mm x 4C x3m
EXC. RECOMMENDED	10V
SAFE OVERLOAD	120% R.C.

NO	DESCRIPTION	MATERIAL	HEART TREAT	Q'TY	DIMENSIONS	REMARK
CHAMFER <input type="checkbox"/> C 0.1 <input type="checkbox"/> C 0.3 <input checked="" type="checkbox"/> C 0.5 <input type="checkbox"/> C 1		SCALE	ANGLE	1st	DESCRIPTION	
TOLERANCE LIMITS <input checked="" type="checkbox"/> MM <input type="checkbox"/> INCH		1 : 1	3d		LOAD CELL	
0. ±0.1 0.0 ±0.04 0.0 ±0.05 0.00 ±0.02 0.00 ±0.01 0.000 ±0.004 0.000 ±0.002 0.0000 ±0.0002		DRAWN BY	PLANNED BY	CHECKED BY	APPROVED BY	MODEL
		JJS				TX25-T10
		2015.08.12				ORDER.
		TEL 043-260-2242 www.dacell.com			DWG NO	SHEET
					TX25-1A-T10	

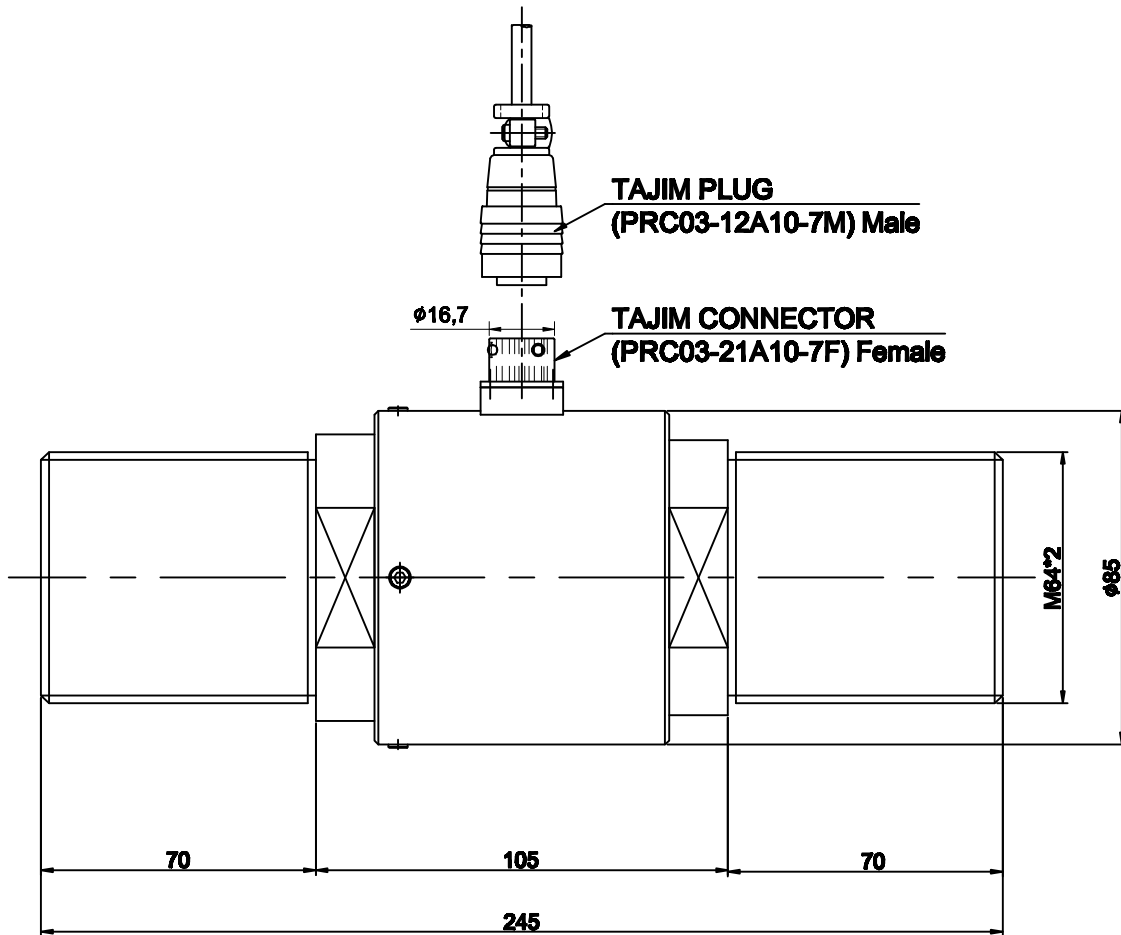
NO	DATE	ZONE	REVISION	CO'T	SIGN
▲					



SPECIFICATION	
MODEL	TX25
RATED CAPACITY (R.C.)	20tf
RATED OUTPUT (R.O.)	1.0mV/V ± 1%
NON-LINEARITY	0.15% R.O.
HYSTERESIS	0.15% R.O.
REPEATABILITY	0.1% R.O.
ZERO BALANCE	±1% R.O.
TEMP. RANGE COMPENSATED	-10°C~60°C
SAFE TEMPERATURE RANGE	-20°C~80°C
TEMP. EFFECT ON RATED OUTPUT	±0.01%LOAD/10°C
TEMP. EFFECT ON ZERO BALANCE	±0.02%R.O./10°C
RESISTANCE, INPUT	350 Ohm ± 5%
RESISTANCE, OUTPUT	350 Ohm ± 5%
INSULATION RESISTANCE BRIDGE TO GROUND	2000MΩ
ELECTRICAL CONNECTION	∅5mm x 4C x3m
EXC. RECOMMENDED	10V
SAFE OVERLOAD	120% R.C.

NO	DESCRIPTION	MATERIAL	HEART TREAT	Q'TY	DIMENSIONS	REMARK
CHAMFER <input type="checkbox"/> C 0.1 <input type="checkbox"/> C 0.3 <input checked="" type="checkbox"/> C 0.5 <input type="checkbox"/> C 1		SCALE 1 : 1	ANGLE 1st 3rd	DESCRIPTION LOAD CELL		
TOLERANCE LIMITS <input checked="" type="checkbox"/> MM <input type="checkbox"/> INCH 0. ±0.1 0.0 ±0.04 0.0 ±0.05 0.00 ±0.02 0.00 ±0.01 0.000 ±0.004 0.000 ±0.002 0.0000 ±0.0002		DRAWN BY JJS	PLANNED BY	CHECKED BY	APPROVED BY	MODEL TX25-T20
		2015.08.12				ORDER. ORDER DWG. NO
		TEL 043-280-2242 www.dcell.com		DWG NO TX25-1A-T20	SHEET	

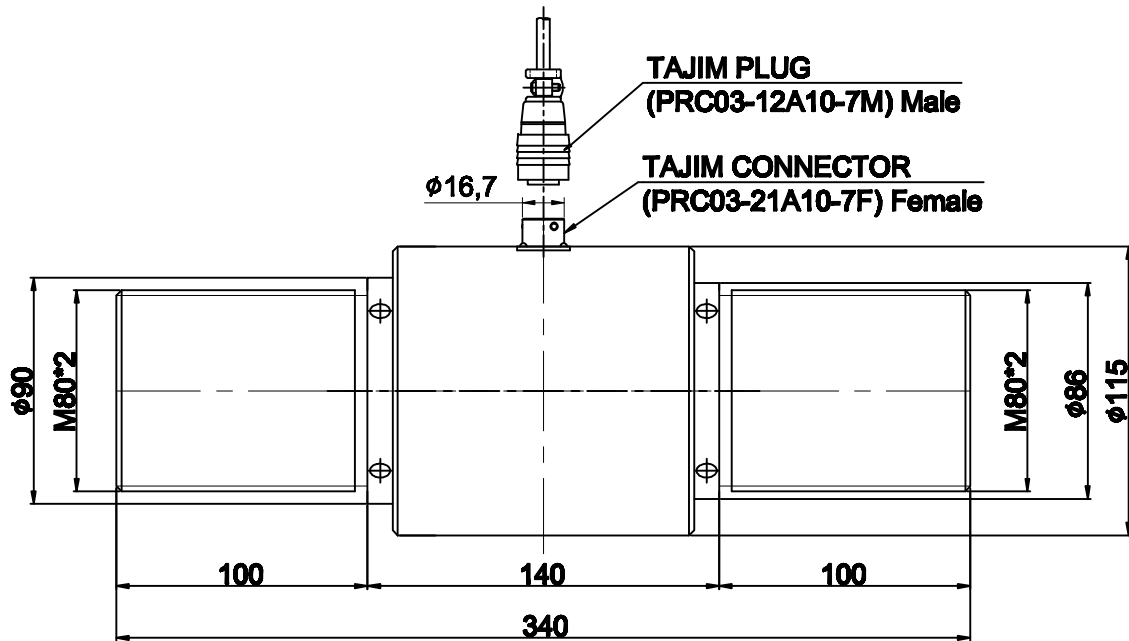
NO	DATE	ZONE	REVISION	CO'T	SIGN
△					



SPECIFICATION	
MODEL	TX25
RATED CAPACITY (R.C.)	50tf
RATED OUTPUT (R.O.)	1.0mV/V ± 1%
NON-LINEARITY	0.15% R.O.
HYSTERESIS	0.15% R.O.
REPEATABILITY	0.1% R.O.
ZERO BALANCE	±1% R.O.
TEMP. RANGE COMPENSATED	-10°C~60°C
SAFE TEMPERATURE RANGE	-20°C~80°C
TEMP. EFFECT ON RATED OUTPUT	±0.01%LOAD/10°C
TEMP. EFFECT ON ZERO BALANCE	±0.02%R.O./10°C
RESISTANCE, INPUT	350 Ohm ± 5%
RESISTANCE, OUTPUT	350 Ohm ± 5%
INSULATION RESISTANCE BRIDGE TO GROUND	2000MΩ
ELECTRICAL CONNECTION	ø5mm x 4C x3m
EXC. RECOMMENDED	10V
SAFE OVERLOAD	120% R.C.

NO	DESCRIPTION	MATERIAL	HEART TREAT	Q'TY	DIMENSIONS	REMARK
CHAMFER <input type="checkbox"/> C 0.1 <input type="checkbox"/> C 0.3 <input type="checkbox"/> C 0.5 <input type="checkbox"/> C 1		SCALE 1 : 1	ANGLE 1st 3rd	DESCRIPTION LOAD CELL		
TOLERANCE LIMITS <input type="checkbox"/> MM <input type="checkbox"/> INCH 0. ±0.1 0.0 ±0.04 0.0 ±0.05 0.00 ±0.02 0.00 ±0.01 0.000 ±0.004 0.000 ±0.002 0.0000 ±0.0002		DRAWN BY JJS	PLANNED BY	CHECKED BY	APPROVED BY	MODEL TX25-T50 ORDER. ORDER DWG. NO
		2015.08.12	DWG NO TX25-1A-T50		SHEET	
				TEL 043-280-2242 www.docell.com		

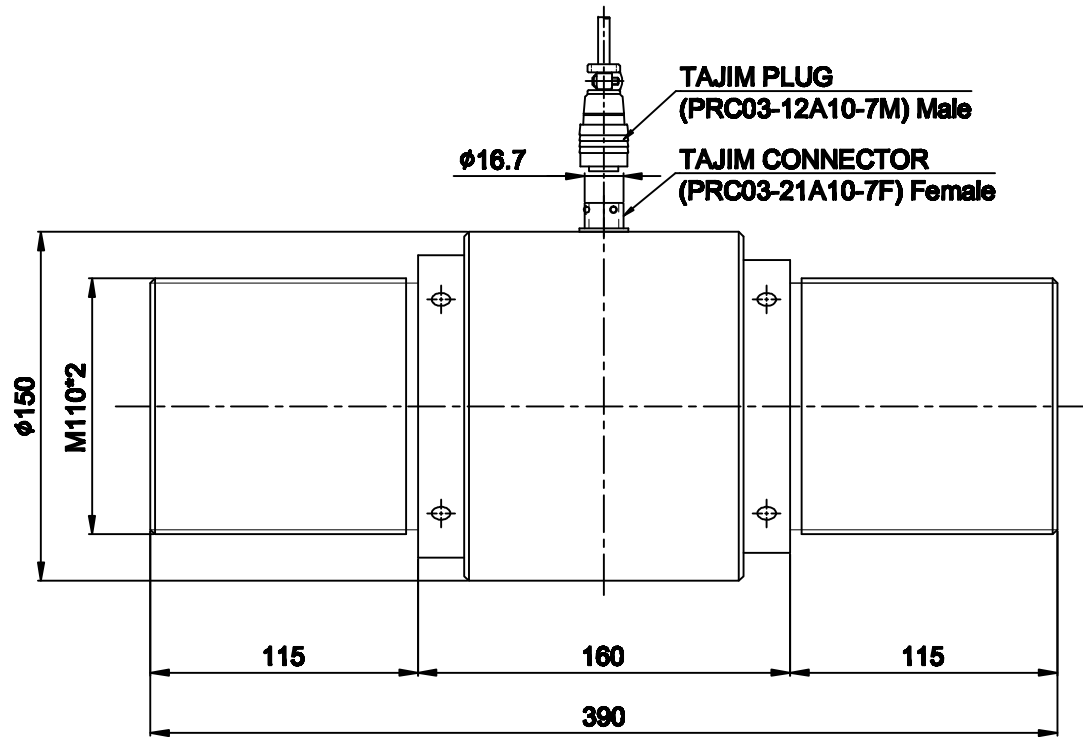
NO	DATE	ZONE	REVISION	CO'T	SIGN
△					



SPECIFICATION	
MODEL	TX25
RATED CAPACITY (R.C.)	100tf
RATED OUTPUT (R.O.)	1.0mV/V ± 1%
NON-LINEARITY	0.15% R.O.
HYSTERESIS	0.15% R.O.
REPEATABILITY	0.1% R.O.
ZERO BALANCE	±1% R.O.
TEMP. RANGE COMPENSATED	-10°C~60°C
SAFE TEMPERATURE RANGE	-20°C~80°C
TEMP. EFFECT ON RATED OUTPUT	±0.01%LOAD/10°C
TEMP. EFFECT ON ZERO BALANCE	±0.02%R.O./10°C
RESISTANCE, INPUT	350 Ohm ± 5%
RESISTANCE, OUTPUT	350 Ohm ± 5%
INSULATION RESISTANCE BRIDGE TO GROUND	2000MΩ
ELECTRICAL CONNECTION	φ5mm x 4C x3m
EXC. RECOMMENDED	10V
SAFE OVERLOAD	120% R.C.

NO	DESCRIPTION	MATERIAL	HEART TREAT	Q'TY	DIMENSIONS	REMARK
CHAMFER <input type="checkbox"/> C 0.1 <input type="checkbox"/> C 0.3 <input checked="" type="checkbox"/> C 0.5 <input type="checkbox"/> C 1		SCALE 1 : 1	ANGLE 1st 3rd	DESCRIPTION LOAD CELL		
TOLERANCE LIMITS <input checked="" type="checkbox"/> MM <input type="checkbox"/> INCH		DRAWN BY JJS	PLANNED BY	CHECKED BY	APPROVED BY	MODEL TX25-T100
0. ±0.1	0.0 ±0.04	2015.08.12				ORDER.
0.0 ±0.05	0.00 ±0.02	DCELL TEL 043-280-2242 www.docell.com				ORDER DWG. NO
0.00 ±0.01	0.000 ±0.004	DWG NO TX25-1A-T100				SHEET
0.000 ±0.002	0.0000 ±0.0002					

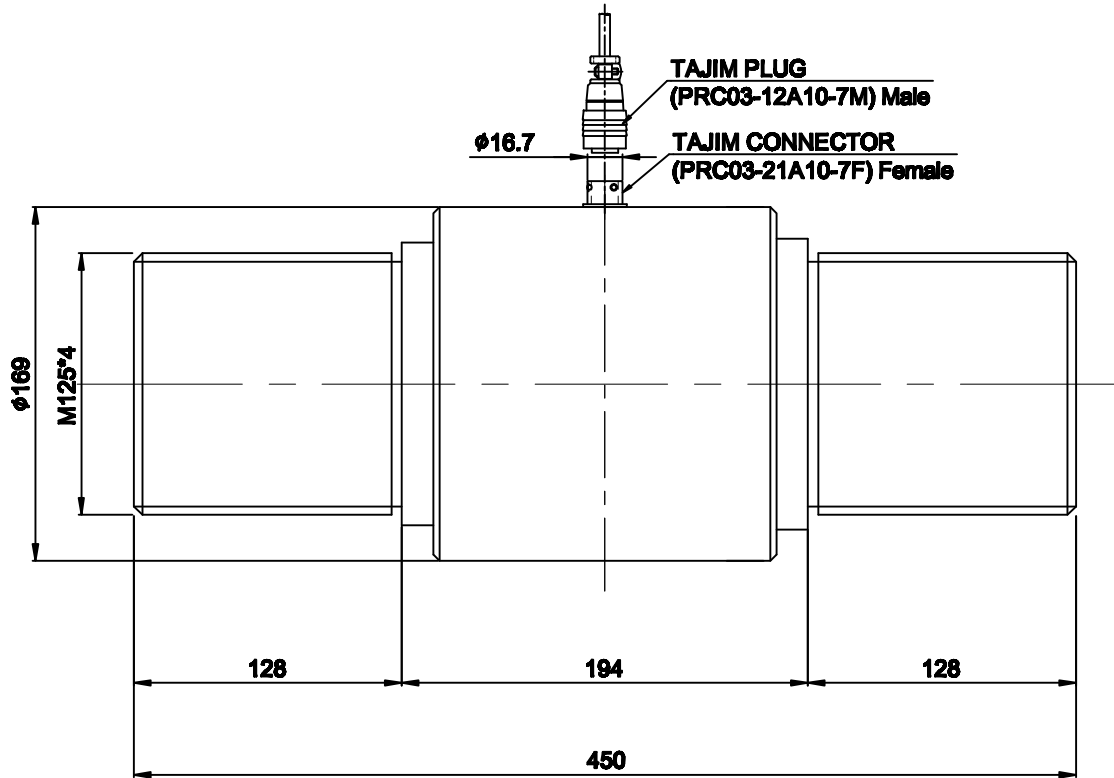
NO	DATE	ZONE	REVISION	CO'T	SIGN
△					



SPECIFICATION	
MODEL	TX25
RATED CAPACITY (R.C.)	200tf
RATED OUTPUT (R.O.)	1.0mV/V ± 1%
NON-LINEARITY	0.15% R.O.
HYSTERESIS	0.15% R.O.
REPEATABILITY	0.1% R.O.
ZERO BALANCE	±1% R.O.
TEMP. RANGE COMPENSATED	-10°C~60°C
SAFE TEMPERATURE RANGE	-20°C~80°C
TEMP. EFFECT ON RATED OUTPUT	±0.01%LOAD/10°C
TEMP. EFFECT ON ZERO BALANCE	±0.02%R.O./10°C
RESISTANCE, INPUT	350 Ohm ± 5%
RESISTANCE, OUTPUT	350 Ohm ± 5%
INSULATION RESISTANCE BRIDGE TO GROUND	2000MΩ
ELECTRICAL CONNECTION	φ5mm x 4C x3m
EXC. RECOMMENDED	10V
SAFE OVERLOAD	120% R.C.

1	NO	DESCRIPTION	MATERIAL	HEART TREAT	1	Q'TY	DIMENSIONS	REMARK
		CHAMFER <input type="checkbox"/> C 0.1 <input type="checkbox"/> C 0.3 <input type="checkbox"/> C 0.5 <input type="checkbox"/> C 1	SCALE 1 : 1	ANGLE 1st 3rd	DESCRIPTION LOAD CELL			
		TOLERANCE LIMITS <input checked="" type="checkbox"/> MM <input type="checkbox"/> INCH	DRAWN BY JJS	PLANNED BY	CHECKED BY	APPROVED BY	MODEL TX25-T200	ORDER ORDER DWG. NO
		0. ±0.1 0.0 ±0.04 0.0 ±0.05 0.00 ±0.02	2015.08.12				DWG NO	SHEET

NO	DATE	ZONE	REVISION	CO'T	SIGN
△					



SPECIFICATION	
MODEL	TX25
RATED CAPACITY (R.C.)	300tf
RATED OUTPUT (R.O.)	1.0mV/V ± 1%
NON-LINEARITY	0.15% R.O.
HYSTERESIS	0.15% R.O.
REPEATABILITY	0.1% R.O.
ZERO BALANCE	±1% R.O.
TEMP. RANGE COMPENSATED	-10°C~60°C
SAFE TEMPERATURE RANGE	-20°C~80°C
TEMP. EFFECT ON RATED OUTPUT	±0.01%LOAD/10°C
TEMP. EFFECT ON ZERO BALANCE	±0.02%R.O./10°C
RESISTANCE, INPUT	350 Ohm ± 5%
RESISTANCE, OUTPUT	350 Ohm ± 5%
INSULATION RESISTANCE BRIDGE TO GROUND	2000MΩ
ELECTRICAL CONNECTION	φ5mm x 4C x3m
EXC. RECOMMENDED	10V
SAFE OVERLOAD	120% R.C.

1	NO	DESCRIPTION	MATERIAL	HEART TREAT	1	Q'TY	DIMENSIONS	REMARK
		CHAMFER	SCALE 1 : 1	ANGLE 1st 3rd	DESCRIPTION LOAD CELL			
		<input type="checkbox"/> C 0.1 <input type="checkbox"/> C 0.3 <input type="checkbox"/> C 0.5 <input type="checkbox"/> C 1	DRAWN BY JJS	PLANNED BY	CHECKED BY	APPROVED BY	MODEL TX25-T300	ORDER.
		TOLERANCE LIMITS	2015.08.12					ORDER DWG. NO
		<input checked="" type="checkbox"/> MM <input type="checkbox"/> INCH 0. ±0.1 0.0 ±0.04 0.0 ±0.05 0.00 ±0.02 0.00 ±0.01 0.000 ±0.004 0.000 ±0.002 0.0000 ±0.0002	TEL 043-280-2242 www.docell.com			DWG NO TX25-1A-T300	SHEET	